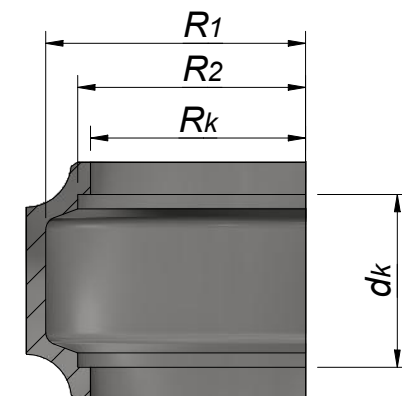
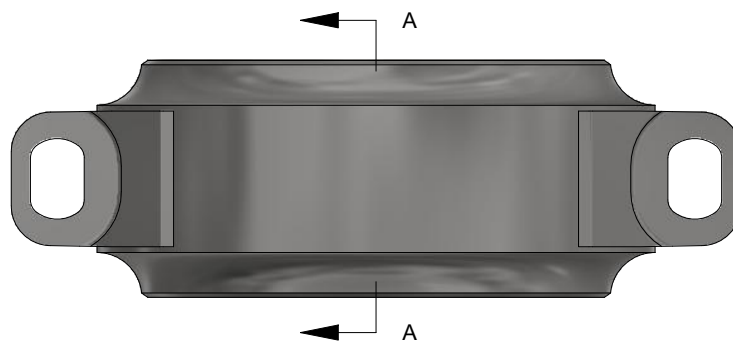
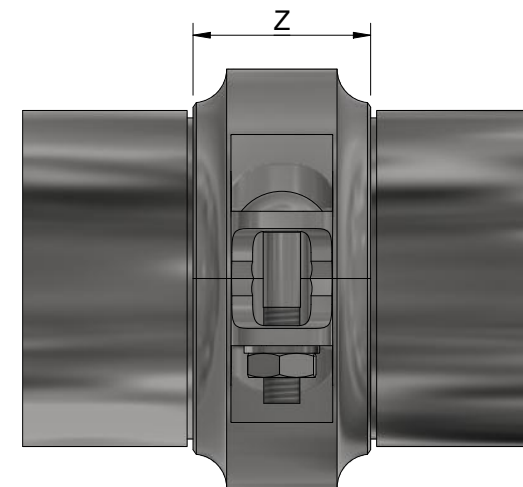
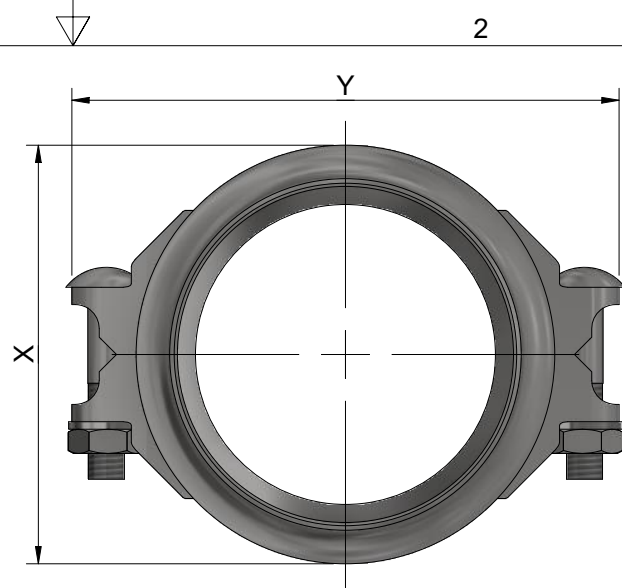
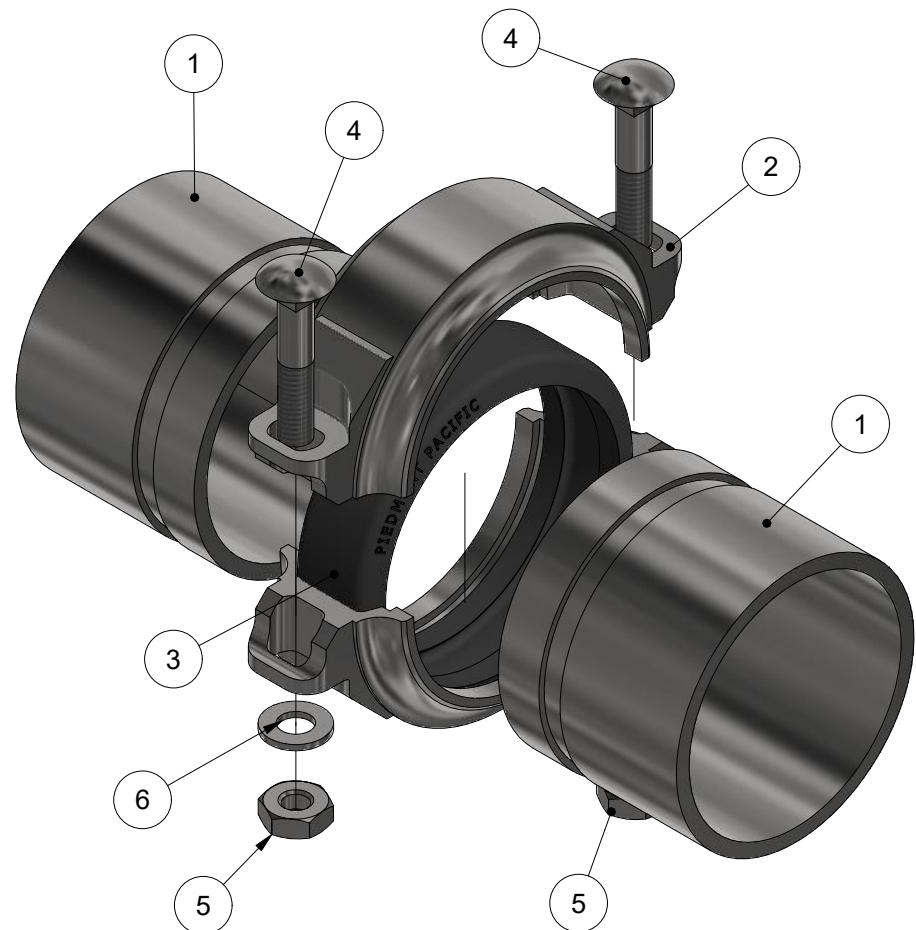


ITEM	DESCRIPTION	MATERIAL	QTY
1	GROOVED END PIPE (AWWA C606 STANDARD)	METALLIC/NON METALLIC	2
2	COUPLING HOUSING	316 STAINLESS STEEL (CF8MN)	2
3	GASKET	EPDM RUBBER	1
4	ROUND HEAD, OVAL NECK TRACK BOLT	SS316	2
5	HEAVY HEX NUT	SS316	2
6	WASHER	SS316	2



SECTION A-A



PRESSURE RATING:

NOMINAL SIZES	RATED PRESSURE	PROOF TEST PRESSURE
2-1/2" - 3" - 4"	450 PSI (31 BAR)	675 PSI (46.5 BAR)

NOMINAL SIZES (INCH)	X (INCH [MM])	Y (INCH [MM])	Z (INCH [MM])	APPROX. WT (LB [KG])
2-1/2	3.69 [93.7]	5.00 [127.0]	1.70 [43.2]	1.40 [0.64]
3	4.36 [110.7]	5.70 [144.8]	1.85 [47.0]	1.83 [0.83]
4	5.70 [144.8]	7.50 [190.5]	2.02 [51.3]	3.25 [1.47]

NOMINAL SIZES (INCH)	dk INCH [MM]	R1 INCH [MM]	R2 INCH [MM]	Rk INCH [MM]
2-1/2	1.35 [34.3]	1.72 [43.7]	1.46 [37.0]	1.37 [34.7]
3	1.35 [34.3]	2.03 [51.6]	1.78 [45.2]	1.68 [42.7]
4	1.50 [38.1]	2.67 [67.8]	2.28 [57.9]	2.17 [55.2]

NOTES:

- DIMENSIONS SHOWN IN THE DRAWING ARE INDICATIVE. FOR DETAILED INFORMATION ON GD&T, CONTACT PIEDMONT.
- COUPLING IS RATED FOR SCH. 40 PIPE WITH CUT GROOVE ONLY.
- HOUSING - HOUSING MATERIAL IS CF8M (316 STAINLESS STEEL) CONFORM TO ASTM A351.
- BOLTS - ROUND HEAD, OVAL NECK TRACK BOLT, SS316.
- NUTS - HEAVY HEX - SS316 - NUTS CONFORM TO DIN-934.
- WASHERS - SS316 - CONFORM TO DIN-125.
- GASKETS - EPDM RUBBER GASKET (FLUSH-FIT/C-SHAPE).

PROPRIETARY AND CONFIDENTIAL NOTE:
THE INFORMATION CONTAINED IN THIS DRAWING IS THE SOLE PROPERTY OF PIEDMONT PACIFIC. ANY REPRODUCTION IN PART OR AS A WHOLE WITHOUT THE WRITTEN PERMISSION OF PIEDMONT PACIFIC IS PROHIBITED.

REV		DATE	REVISION DESCRIPTION	DRAWN	CHKD	ENG	APPVD
1		17-02-2021	COUPLING HOUSING DRAWING	DT	AS	AS	DJ

UNLESS NOTED OTHERWISE
INTERPRETATION: ANSI Y14.5
TOLERANCES: ±0.00" (0.75 MM)
ANGLES: 45°
HOLE SIZES: ±0.00" (0.75 MM)
HOLE CENTERS: ±0.00" (0.75 MM)
SURFACE FINISH ON PART: N/A
SURFACE FINISH ON DURING: 32
DO NOT SCALE PRINTS

**PIEDMONT PACIFIC
GROOVE END FLEXIBLE PIPE COUPLING**

TITLE:				
STYLE M COUPLING ASSEMBLY				
SCALE:	UNIT:	DRAWING NO.	SHEET:	REVISION:
N/A	INCH [MM]	1.0	1.0	1