

**SAF-X**

Highly efficient self-cleaning  
screen filter



# MASTERS OF FILTRATION



Any Technology



Anywhere



Any Challenge



Any Water Source



**Your water challenge.**  
**Our filtration solution.**

Amiad Water Systems is a world leader in water treatment and filtration solutions. For over 57 years Amiad has devoted its passion and commitment to developing a comprehensive line of water filtration systems for a wide range of industrial applications.

Our solutions are integrated into the core of water filtration systems in the following industries and applications: metal, plastic, energy, chemical, water treatment and salt water disposal.

We develop filters that are able to cope with any water quality, in any geographical location.

We've spent years mastering filtration technology so we can offer a wide range of filters for every industrial need, including screen, disc, microfiber or media technology.

We consider every challenge as an opportunity to work side by side with our customers to solve their problems.

We'll go anywhere to ensure our filters perform as expected, 24/7, every day of the year.

When you want a high-performance solution for your water filtration system, consult with Amiad. We focus on doing what we do best.

**Amiad. Masters of Filtration.**



Disc  
Technology



Screen  
Technology



Media  
Technology



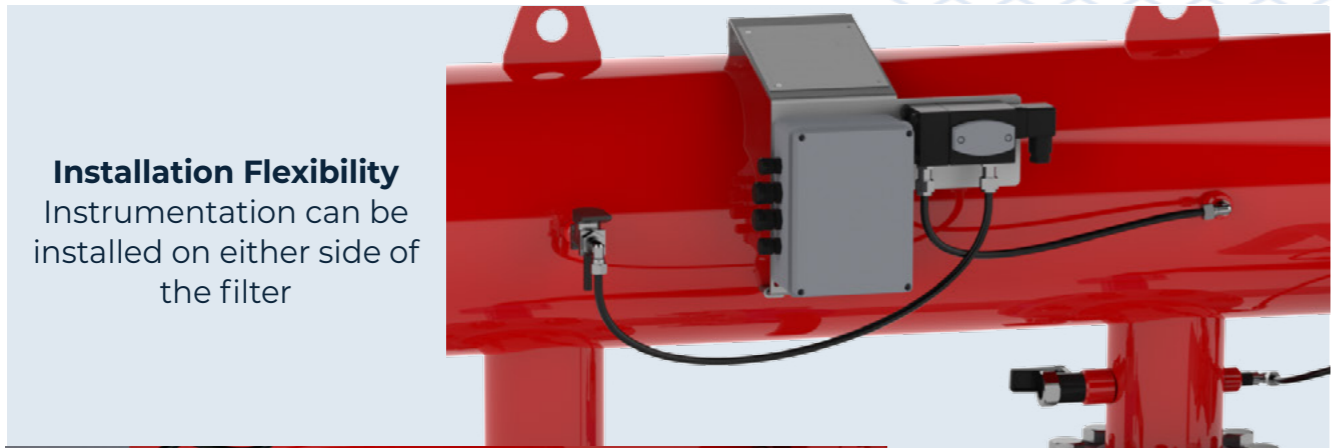
Microfiber  
Technology



# SAF-X FEATURES



**Simple Maintenance**  
Hinged lid for convenient opening and easy access

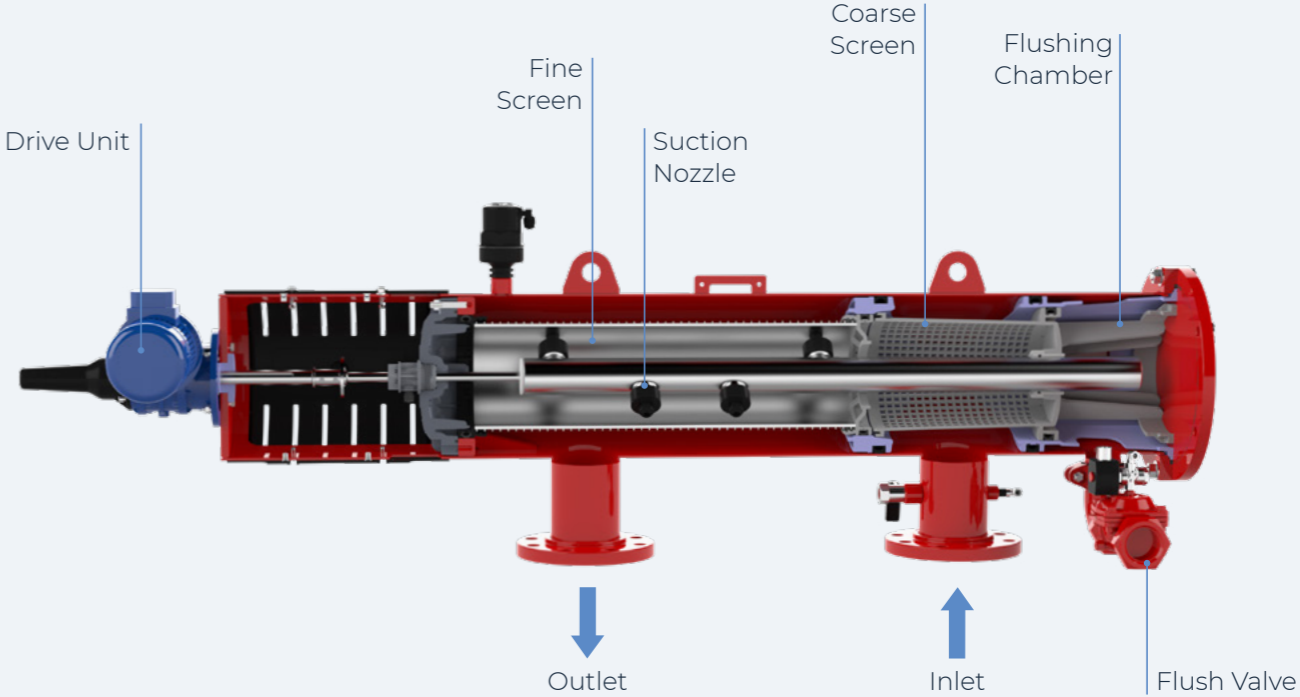


**Installation Flexibility**  
Instrumentation can be installed on either side of the filter

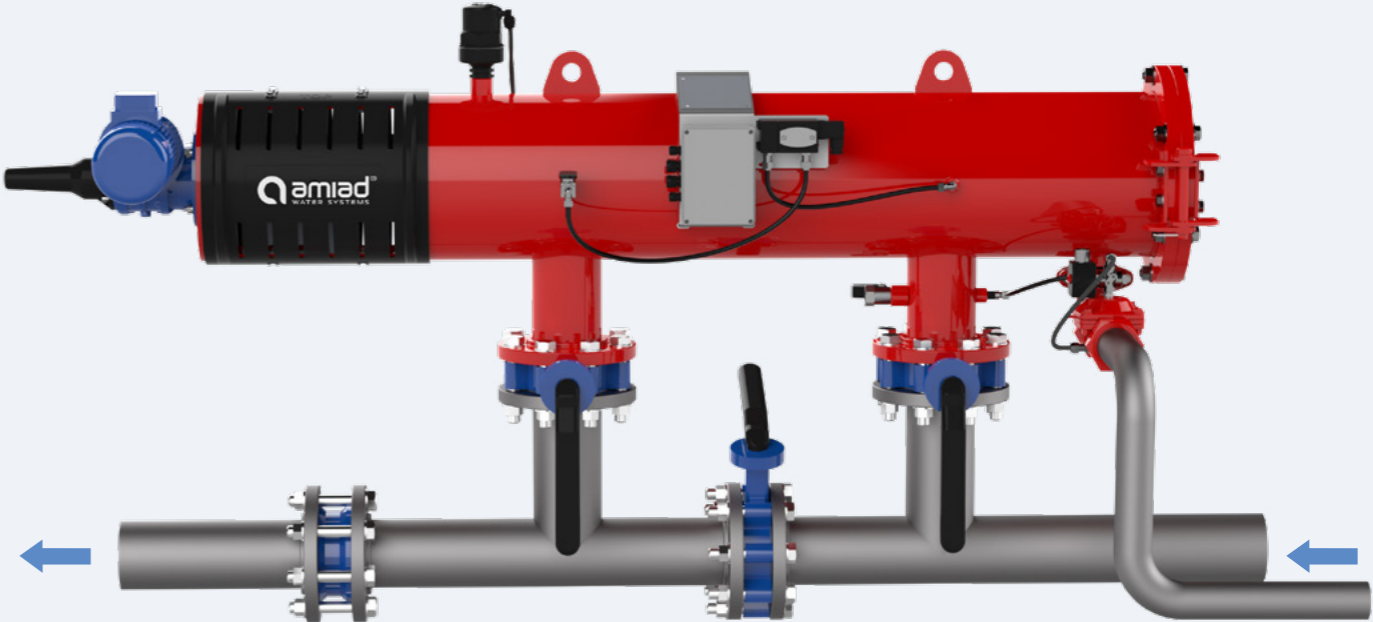


**Swivel Flushing Valve**  
Enables positioning according to installation

## Cross Section

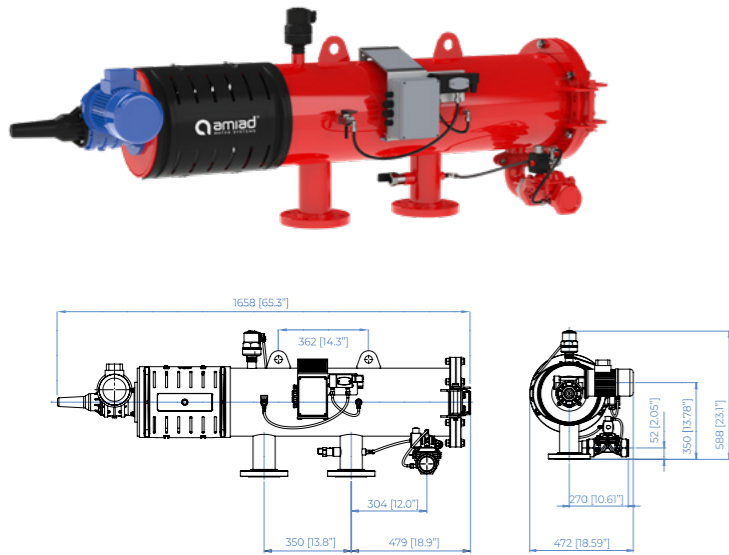


## Typical Installation

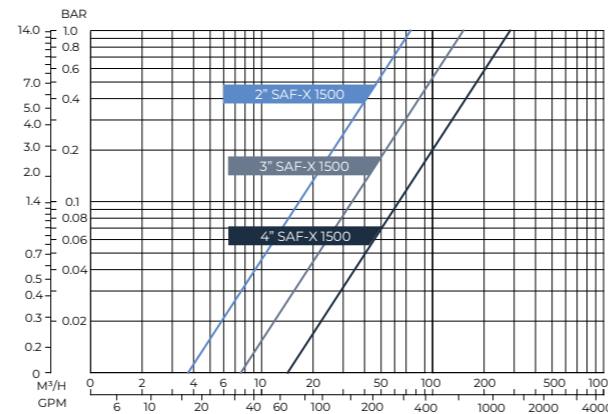


# SAF-X Models

## SAF-X 1500



Head Loss Graph (in clean water)

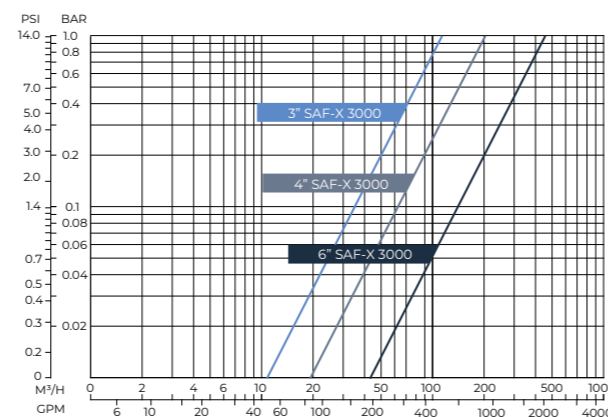
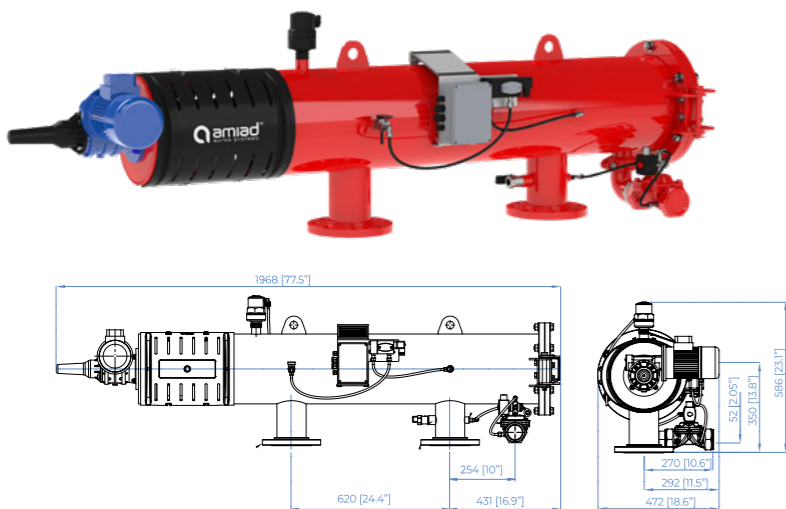


## Technical Specifications

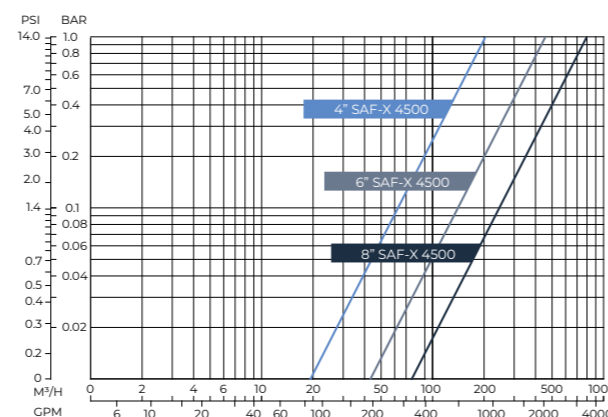
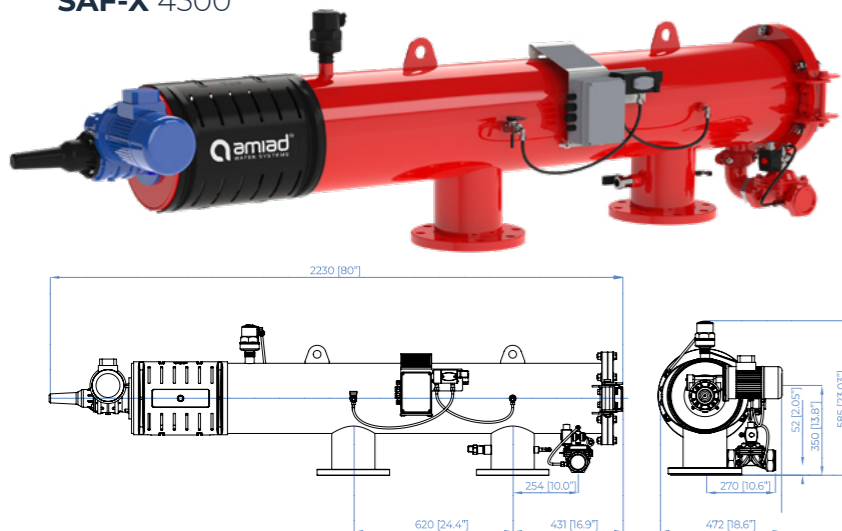
Filter Model	SAF-X 1500	SAF-X 3000	SAF-X 4500
<b>General data</b>			
Max. flow rate* (130µ)	80 m³/h (352 gpm)	160 m³/h (700 gpm)	240 m³/h (1,060 gpm)
Design pressure	10 bar (150 psi)		
Min. operating pressure	2 bar (30 psi)		
Working temperature	4°-50°C (39.2°-122°F)		
Filtration area	1,500 cm² (233 in²)	3,000 cm² (465 in²)	4,500 cm² (700 in²)
Inlet / Outlet diameter	2" (50 mm), 3" (80 mm), 4" (100 mm)	3" (80 mm), 4" (100 mm), 6" (150 mm)	4" (100 mm), 6" (150 mm), 8" (200 mm)
Filter housing	10" (250 mm)		
Weight: empty/operational (per inlet/outlet diameter)	2" (50 mm) 108/158 kg (238/348 lb)	3" (80 mm) 131/198kg (288/436 lb)	4" (100 mm) 154/237 kg (339/521 lb)
	3" (80mm) 109.161 kg (340/354 lb)	4" (100 mm) 132/200 kg (290/440 lb)	6" (150 mm) 155/241 kg (341/530 lb)
	4" (100 mm) 110/164 kg (242/361 lb)	6" (150 mm) 133/205 kg (293/451 lb)	8" (200 mm) 156/247 kg (343/543 lb)

\* Consult manufacturer for optimum flow depending on filtration degree & water quality.

## SAF-X 3000



## SAF-X 4500



### Electronic control

Control voltage	24V AC or DC
Electric motor	1/4 HP (0.18 Kw) 50/60 Hz
Rated operation voltage	Three-phase, 230/400/460V, 50/60 Hz Single-phase, 110/220V, 50/60 Hz
Current consumption	0.6 Amp. (with three-phase 400V)

### Flushing data\*\*

Exhaust valve	50 mm (2")		
Flushing time	20 sec.		
Reject water volume per flush cycle	39 liter (10 gallon)	78 liter (20 gallon)	117 liter (30 gallon)
Flushing flow rate	7 m³/h (31 gpm)	14 m³/h (62 gpm)	21 m³/h (93 gpm)

\*\* Standard nozzle at 2.5 bar (35 psi)

### Construction materials

Filter housing and lid	Epoxy-coated carbon steel 37-2 (Stainless steel 316 available on request)
Screens	Stainless steel 316
Cleaning mechanism	Stainless steel 316, POM, PVC
Exhaust valve	Epoxy-coated cast iron, natural rubber
Seals	Synthetic rubber
Control	Aluminium, brass, stainless steel, PVC

### Standard Filtration Degrees

	Stainless Steel Weave-wire Screen											
micron	800	500	300	200	130	100	80	50	40	30	20	10
mm	0.8	0.5	0.3	0.2	0.13	0.1	0.08	0.05	0.04	0.03	0.02	0.01

mm (inch)

\*Approx. length required for maintenance





## Headquarters

**Amiad Water Systems Ltd.**

Web: [www.amiad.com](http://www.amiad.com)

E-mail: [info@amiad.com](mailto:info@amiad.com)

## Asia

### India

**Amiad Filtration India Pvt Limited**

Web: [amiad.com](http://amiad.com) | E-mail: [info-india@amiad.com](mailto:info-india@amiad.com)

### China

**Amiad China (Yixing Taixing Environtec Co., Ltd.)**

Web: [cn.amiad.com](http://cn.amiad.com) | E-mail: [infochina@amiad.com](mailto:infochina@amiad.com)

### South-East Asia

**Filtration & Control Systems Pte. Ltd.**

Web: [amiad.com](http://amiad.com) | E-mail: [info-singapore@amiad.com](mailto:info-singapore@amiad.com)

## The Americas

### USA

**Amiad USA Inc.**

Web: [us.amiad.com](http://us.amiad.com) | E-mail: [infousa@amiad.com](mailto:infousa@amiad.com)

### Mexico

**Amiad México SA DE CV,**

Web: [es.amiad.com](http://es.amiad.com) | E-mail: [infomexico@amiad.com](mailto:infomexico@amiad.com)

## Europe

**Amiad Water Systems Europe SAS**

Web: [amiad.com](http://amiad.com) | E-mail: [industry-europe@amiad.com](mailto:industry-europe@amiad.com)

### German branch office

Web: [de.amiad.com](http://de.amiad.com) | E-mail: [industry-de@amiad.com](mailto:industry-de@amiad.com)

### United Kingdom

**Amiad Water Systems UK Limited**

Web: [amiad.com](http://amiad.com) | E-mail: [info-uk@amiad.com](mailto:info-uk@amiad.com)

## Australia

**Amiad Australia Pty Ltd.**

Web: [au.amiad.com](http://au.amiad.com) | E-mail: [sales@amiad.com](mailto:sales@amiad.com)



**Headquarter:** 54/18 Bui Quang La, Ward 12, Go Vap District, HCMC, Vietnam

**Office:** 77 DHT10B, Dong Hung Thuan Ward, District 12, HCMC, Vietnam

**Phone:** (028) 6258 5368 – (028) 6291 9568

**Email:** [info@atswatertechnology.com](mailto:info@atswatertechnology.com)

**Website:** [www.atswatertechnology.com](http://www.atswatertechnology.com)



 **amiad** INDUSTRY

# MASTERS OF FILTRATION

[www.amiad.com](http://www.amiad.com)

910101-001197/11.2021

Copyright © 2019 Amiad Water Systems Ltd. All rights reserved. The contents of this catalogue including without limitation all information and materials, images, illustrations, designs, icons, photographs, graphical presentations, designs, literary works, data, drawings, slogans, phrases, names, trademarks, titles and any other such materials that appear in this catalogue (collectively, the "Contents") are the sole property of Amiad Water Systems Ltd. ("Amiad"). Amiad has sole and exclusive right, title and interest in the Contents, including any intellectual property rights, whether registered or not, and all know-how contained or embodied therein. You may not reproduce, publish, transmit, distribute, display, modify, create derivative works from, sell or participate in any sale of, or exploit in any way, in whole or in part, any of the Contents or the catalogue. Any use of the catalogue or the Contents, other than for personal use, requires the advanced written permission of Amiad.